

EtherDrive[®] Gateway

Ethernet SAN to WAN connectivity

Coraid EtherDrive redefines storage economics by delivering simplicity, high performance, and reliability, at a 5-8x price/performance advantage over Fibre Channel and iSCSI.



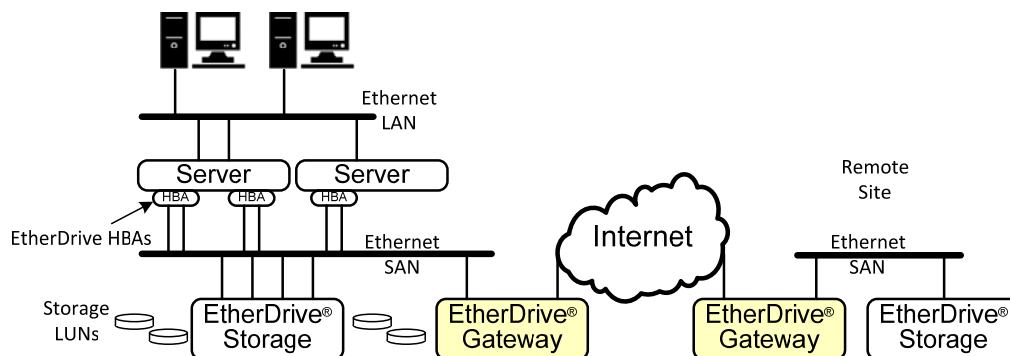
EtherDrive Gateway Appliance

Highlights

- EtherDrive[®] Gateway Appliance extends Ethernet SAN over TCP/IP WAN connections using protocol tunneling.
- Used with remote site data replication for disaster protection and data backup.
- EtherDrive Gateway presents remote site storage LUNs to local SAN hosts.
- *A single EtherDrive Gateway can work with multiple remote site EtherDrive Gateways, to enable multi-site data replication.
- EtherDrive Gateway is compatible with standard VPN connections when interfacing to a WAN.
- A single EtherDrive Gateway can import up to 255 LUNs and export up to 255 LUNs.
- *Multiple EtherDrive Gateways can be configured in parallel to provide fault tolerance and increased bandwidth.

Use Cases

- Asynchronous LUN replication to multiple remote sites is made possible with the EtherDrive Gateway.
- Imported LUNs can be used as targets for backup applications.
- You can use standard Ethernet switches and routers, EtherDrive Gateway connections do not require special lossless Ethernet switches and routers like FCoE.
- *A single disaster recovery site can support multiple active sites each with EtherDrive Gateways, using a single EtherDrive Gateway at the disaster site.
- EtherDrive Gateway works with standard Ethernet WAN router connections. SAN jumbo Ethernet frames are fragmented and reassembled automatically to fit within standard 1500 byte MTUs.
- Use with VPN connections between site locations for added security.



EtherDrive® Gateway Datasheet

Functional Specifications	
Purpose	The EtherDrive Gateway is a network appliance that performs tunneling of ATA-over-Ethernet (AoE) packets for transmission over a TCP/IP network. Typically it acts as a bridge between two or more Ethernet SANs using routed WAN connections.
Operation	At least two EtherDrive Gateways are required with an IP connection between them. This is typically a routed WAN connection between two locations. EtherDrive LUNs on a remote SAN are automatically discovered and made available for export to a companion EtherDrive Gateway. User can select which LUNs are to be exported and which LUNs are to be imported.
Terminology	A local EtherDrive Gateway “imports LUNs” from its WAN connection and presents them as read/write storage via its SAN connection. Imported LUNs appear on the local SAN as any other AoE block storage device (LUN). A local EtherDrive Gateway “exports LUN’s” from those discovered on its SAN connection, to its WAN connection, for access by companion EtherDrive Gateways on the WAN.
Import Limits	Each EtherDrive Gateway can import up to 255 LUNs of arbitrary size from companion EtherDrive Gateways. *LUNs can be imported from different companion EtherDrive Gateways accessible through the WAN connection.
Export Limits	Each EtherDrive Gateway can export up to 255 LUNs of arbitrary size from companion EtherDrive Gateways. *LUNs can be exported to different companion EtherDrive Gateways accessible through the WAN connection.
Data Security	Standard VPN connections with IPSec can be used for the WAN.
Management	Simple Command Line Interface (CLI) for setup, and syslog output for alarms. *GUI control is provided when integrated with Coraid’s EtherDrive SAN Management system.
Hardware Specifications	
WAN interface	One RJ45, 1Gigabit Ethernet
SAN interface	One RJ45, 1Gigabit Ethernet
Console Port	RS232, KVM
Power	100-240 VAC, 50-60Hz, < 200Watts power, < 682 BTU heat load, redundant hot swap power modules
Dimensions	1U - rack mount, 1.75”x17”x19.5”, 20 lbs.

** Feature not included in initial product release.*

Coraid, Inc. Suite 650, 255 Shoreline Dr., Redwood City, CA 94065, +1-706-548-7200

Coraid and EtherDrive are registered trademarks of Coraid. Coraid trademarks include RAIDShield and VirtualStorage. Linux® is the registered trademark of Linus Torvalds in the U.S. and other countries. Windows is a registered trademark of Microsoft Corporation in the United States and other countries.



www.coraid.com